

## Adapter Han 16B - 2x D-Sub 50

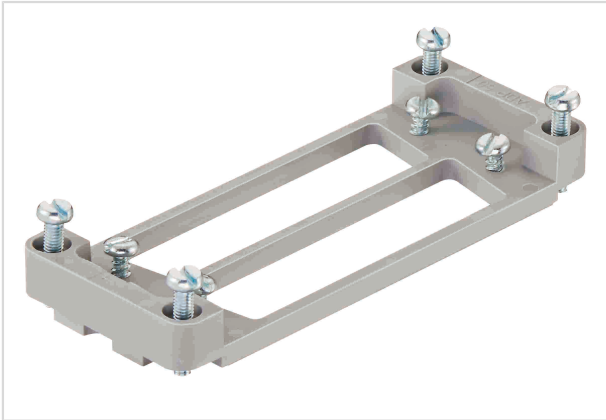


Image is for illustration purposes only. Please refer to product description.

Part number	09 30 000 9974
Specification	Adapter Han 16B - 2x D-Sub 50
HARTING eCatalogue	<a href="https://b2b.harting.com/09300009974">https://b2b.harting.com/09300009974</a>

### Identification

Category	Accessories
Type of accessory	Adapter plate
Description of the accessory	for 2x D-Sub
Adapter for	D-Sub 5

### Version

Size	16 B
Pack contents	1 adapter 4 fixing screws for adapter 4 fixing screws for D-Sub connector

### Material properties

Material (accessories)	Thermoplastic
RoHS	compliant
ELV status	compliant
China RoHS	e
REACH Annex XVII substances	No
REACH ANNEX XIV substances	No
REACH SVHC substances	No

### Commercial data

Packaging size	2
Net weight	0.01 g
Country of origin	Germany



Pushing Performance

## Commercial data

European customs tariff number 85389099

eCl@ss 27440201 Adapter plate industrial connectors